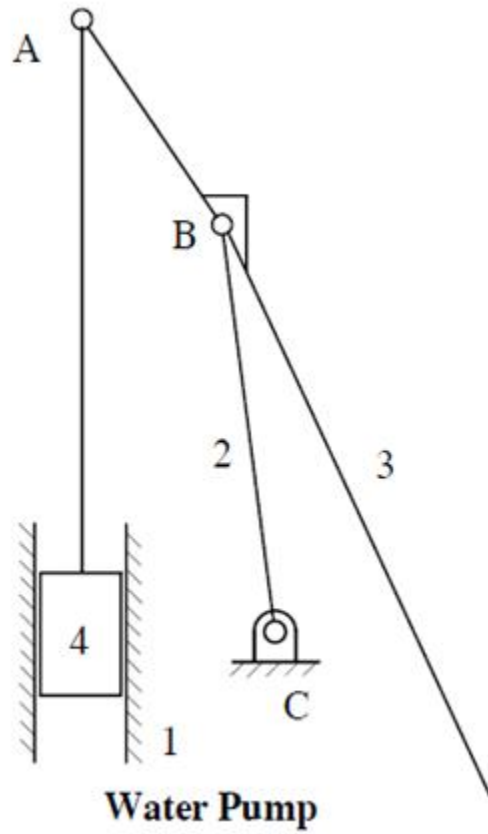
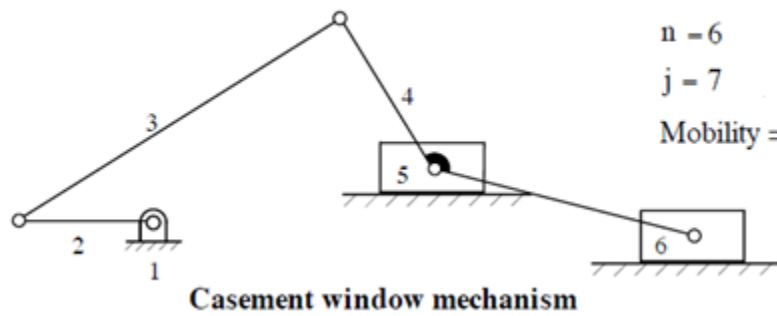


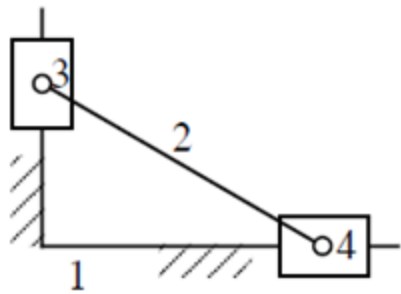
Examples on mobility



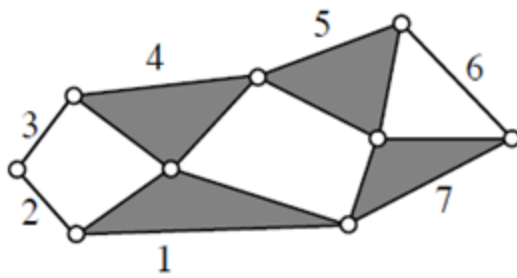
$$n = 4$$
$$j = 4$$
$$\text{Mobility} = 1$$



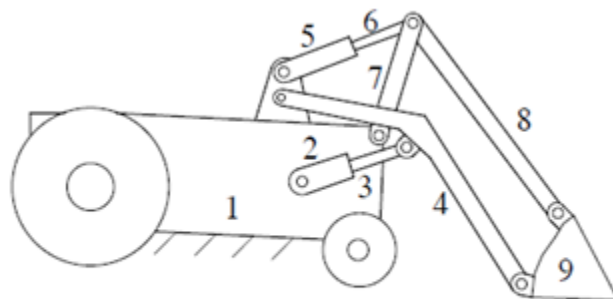
$$n = 6$$
$$j = 7$$
$$\text{Mobility} = 1$$



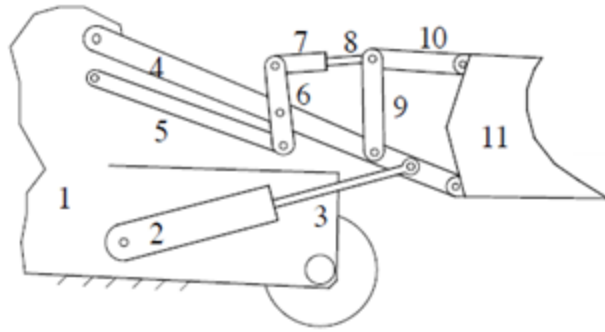
$n = 4$
 $j = 4$
 Mobility = 1



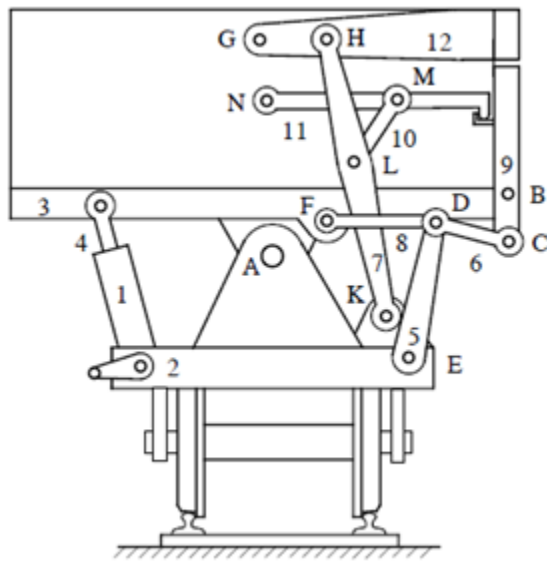
$n = 7$
 $j = 9$
 Mobility = 0



$n = 9$
 $j = 11$
 Mobility = 2

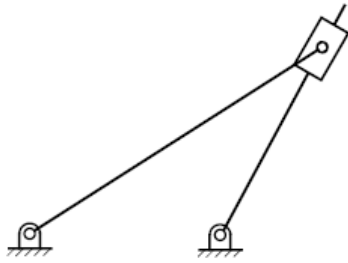


$n = 11$
 $j = 14$
 Mobility = 2

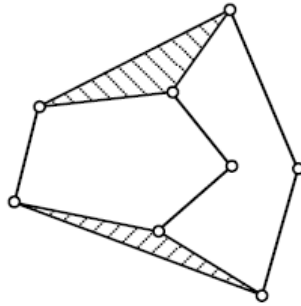


$n = 12$
 $j = 16$
 Mobility = 1
 Idle DOF = 0

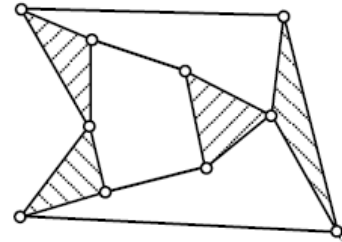
Problem #1: find the mobility for the following mechanisms



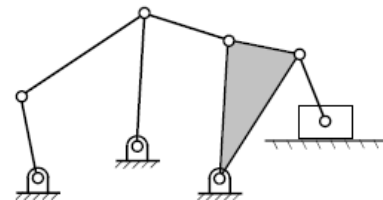
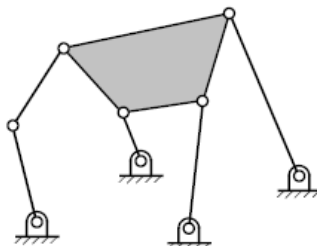
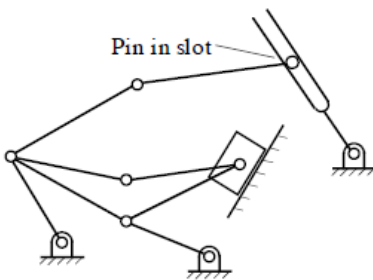
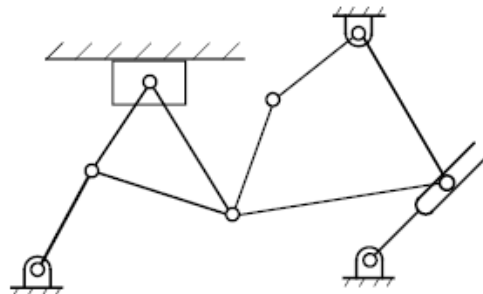
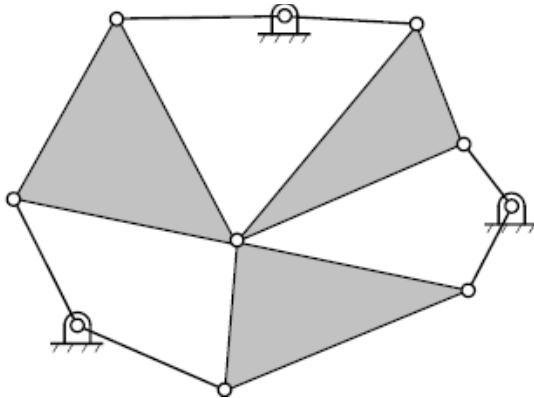
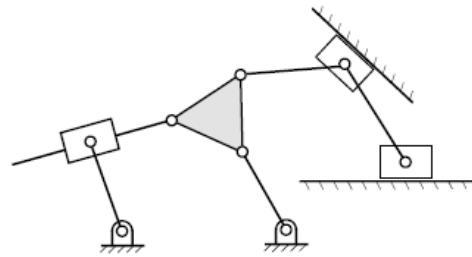
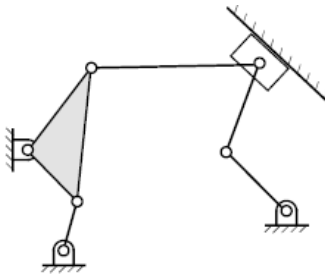
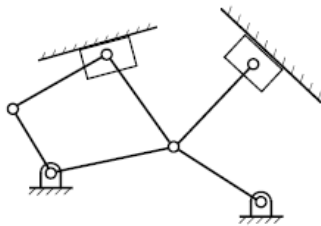
(a)

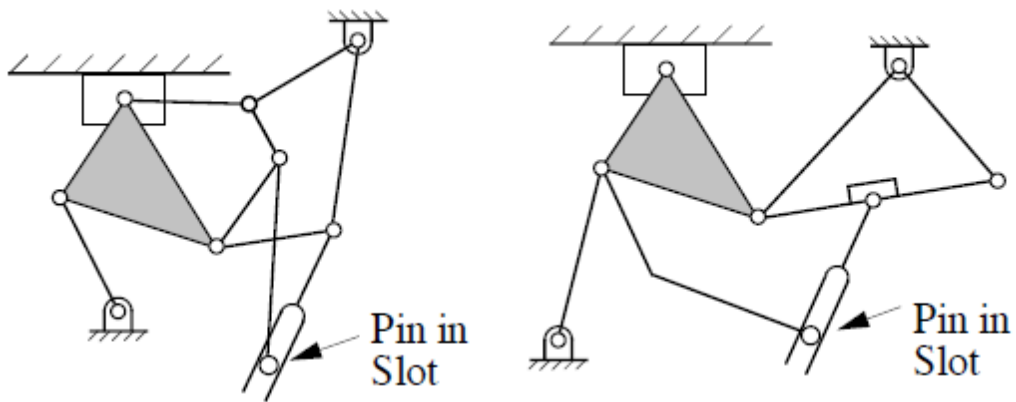


(b)



(c)





Problem #2: find the loop vector equations for the following mechanisms

